

LED Zeus ATEX 2-22



Installazione: a parete o a sospensione.

Corpo e telaio: in alluminio pressofuso UNI EN 1706 verniciato con polvere termoindurente poliesteri.

Staffa di fissaggio: in acciaio, verniciata con polvere termoindurente poliesteri, con goniometro graduato per un corretto puntamento del fascio luminoso.

PG: pressacavo in metallo M20x1,5 ATEX PA66 (cavo Ø 10÷14mm²)

Verniciatura: di tipo poliesteri eseguita a polvere, resistente agli agenti atmosferici, alla corrosione e alla nebbia salina. RAL Yellow 1018

Ottica: semi concentrante realizzata in PMMA resistente ai raggi UV

Schermo: vetro temprato di spessore 4mm resistente agli shock termici e agli urti.

Sorgente: LED **SAMSUNG**
 Mantenimento del flusso luminoso minimo al 90% - 100.000h (L90B10) per il 90% dei LED.

Temperatura di colore: 4000K;

Driver: incorporato 0-10V.
 Fattore di potenza ≥0,95.

Installation: on the wall or suspended.

Housing and frame: made by UNI EN 1706 Die-cast aluminum, coated with polyester thermoset powder.

Fixing bracket: made by stainless steel, coated with polyester thermoset powder, with graduated goniometer to allow the correct orientation of light beam

Metal cable glands: screwed M20x1,5 (Cable Ø 10÷14mm²)

Coating: coated with powdered polyester, resistant to atmospheric agents and corrosion and guaranteed in saline mist. RAL Yellow 1018

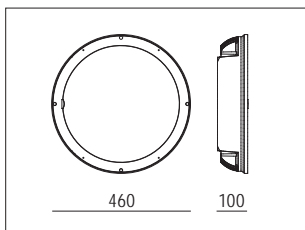
Optic: semi-clumping made in PMMA resistant to UV radiation

Shield: tempered glass with 4mm thickness resistant to thermal shocks and collisions.

Light source: LED **SAMSUNG**
 Maintenance of minimum luminous flux to 90% - 100.000h (L90B10) for 90% of LED.

Color temperature: 4000K;

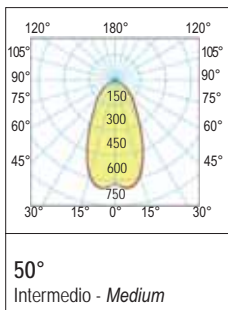
Driver: included 0-10V.
 Power factor ≥0,95



	220-240 Vac	110-240 Vac On demand	50/60 Hz	IP66	IK08	+55°C -20°C	CRI >80
		RG0		850°			

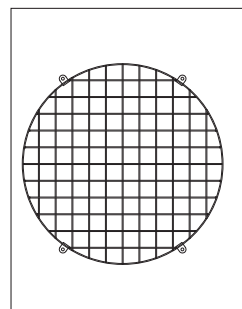
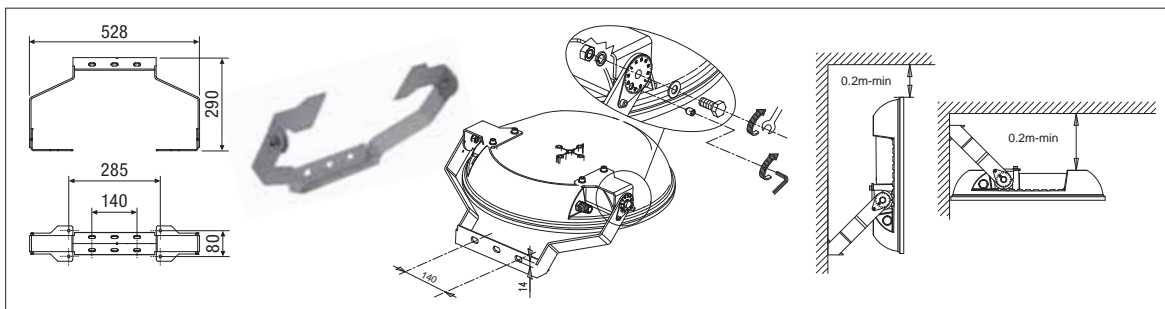
	colour	W	Led SMD	angle	K	nominal lm tc = 25°C	lm output	lm/W	pcs	Kg	CELL
0-10V	Y	175	N° 40 led 5050	50°	4000	23.100	21.000	120	1	9,70	334087.185ATX
0-10V	Y	210	N° 48 led 5050	50°	4000	27.700	25.200	120	1	9,70	334087.210ATX

A richiesta: potenze, ottiche e colorazione del LED diverse da quelle standard
On demand: powers, optics and LED colours different from the standard ones



Protezione contro le atmosfere esplosive <i>Protection against explosive atmospheres</i>	
Zona pericolosa ammessa <i>Hazardous area allowed</i>	Zona 2 - Zone 2 Zona 22 - Zone 22
Normative di riferimento <i>Standard references</i>	EN60079-0 / EN60079-15 EN60079-31 / EN60079-28
Use: the light fitting is suitable for the environment with a danger of explosion of gas, dust and combustible fumes. The light fittings meet the requirements of Government Decree 116/2016 Coll. and European Community Directive N°. 2014/34/EU.	

Accessori non inclusi - Not Included accessories



Code: 703959.0101
 Staffa sagomata orientabile per montaggio a parete più goniometro per puntamento proiettore
Shaped adjustable bracket for wall mounting complete with protractor pointing to the projector

Cod: 800016.0101
 Griglia di protezione
Protection grid