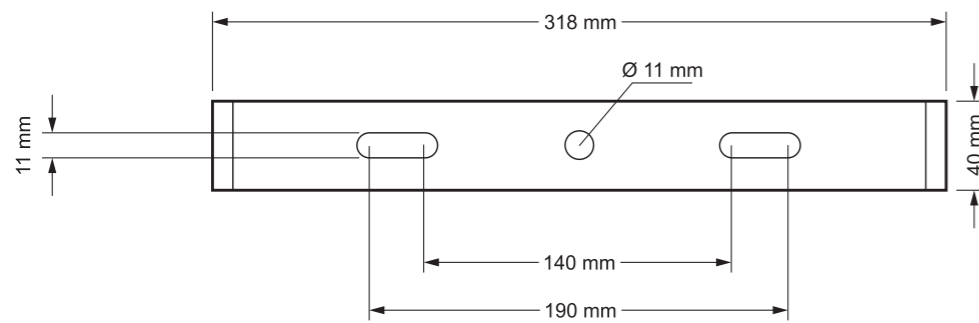




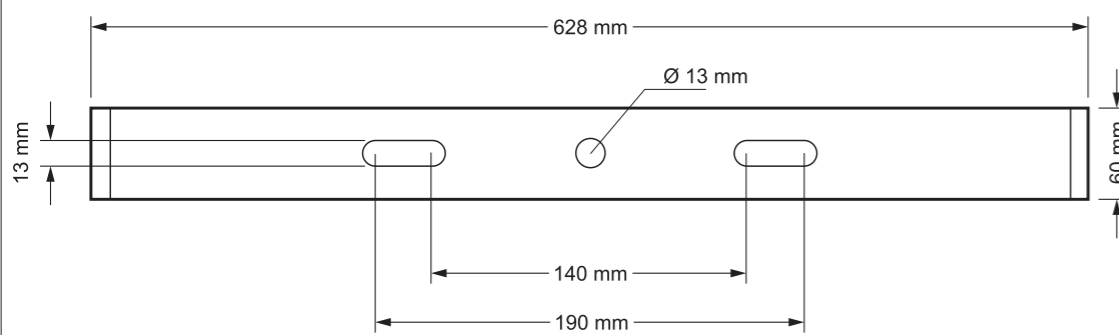
**LED Lampo 120W - 180W - 240W**

Staffa di fissaggio - *Mounting bracket - Étrier de fixation - Befestigungsbügel*



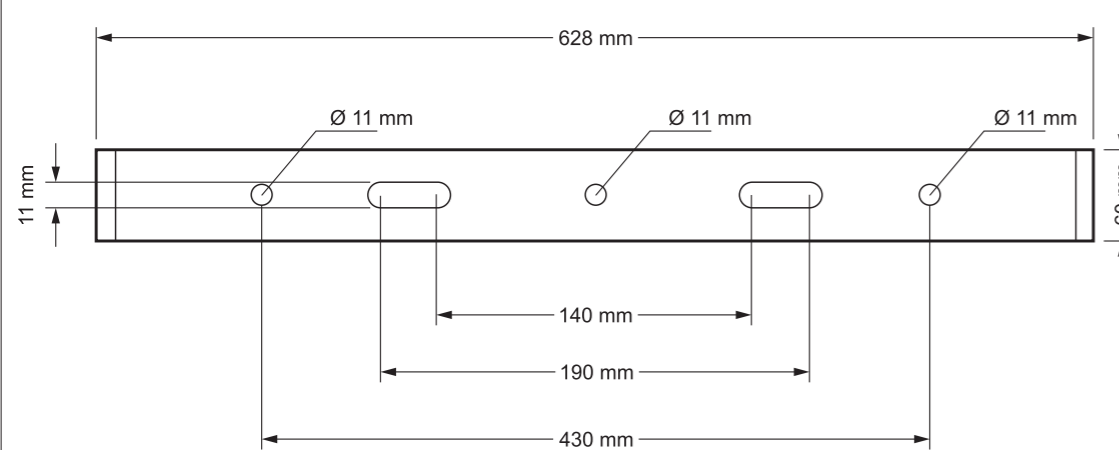
**LED Lampo 350W**

Staffa di fissaggio - *Mounting bracket - Étrier de fixation - Befestigungsbügel*

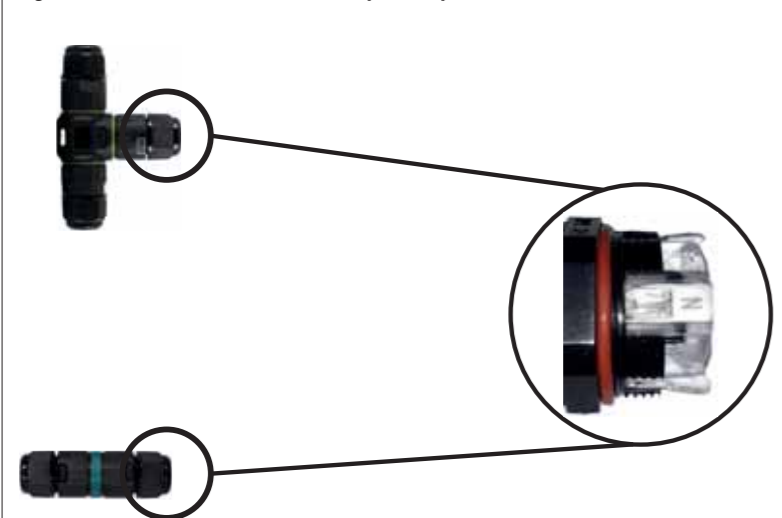


**LED Lampo 500W - 700W**

Staffa di fissaggio - *Mounting bracket - Étrier de fixation - Befestigungsbügel*



**Ingresso alimentazione 230Vac - 230Vac power input**



**3 poli (standard) - 3 pole (standard)**

- ⊕ = GND
- L = FASE - PHASE
- N = NEUTRO - NEUTRAL

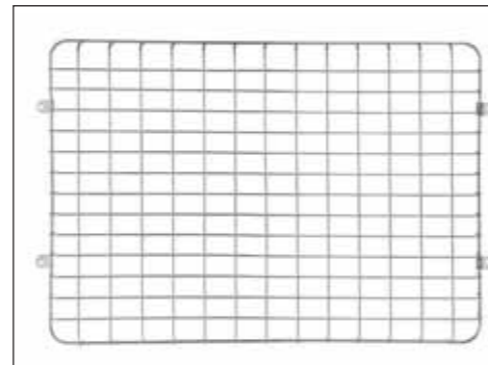
**5 poli (a richiesta) - 5 pole (on demand)**

- ⊕ = GND
- L = FASE - PHASE
- N = NEUTRO - NEUTRAL
- L1 = DALI
- L2 = DALI

**Accessori non inclusi - Accessories not included  
Accessoires non inclus - Zubehör nicht inbegriffen**



**Cod. 703952.NEW**  
Attacco palo per l'installazione di 1 proiettore, Ø 60/76 mm. In ferro verniciato con polveri termoindurenti poliesteri resistenti alla corrosione ed agli agenti atmosferici.  
*Pole attachment for the installation of 1 projector, size Ø 60/76 mm. Iron coated with polyester thermosetting powder coating, offering high resistance to rust and external atmospheric agents.*  
*Ergot pour tête de poteau 1 projecteur Ø 60/76 mm en fer peint avec des poudres thermo-durcissables. Polyesters résistants à la corrosion et aux agents atmosphériques.*  
*Aufsatz für Mastspitze, für 1 Scheinwerfer, Ø 60/76 mm. Aus mit duroplastischem Polyester-Pulver lackiertem Eisen: wetter- und korrosion-sbeständig.*



**Cod. RETE140 (LED Lampo 120W)**  
**Cod. RETE180 (LED Lampo 180W)**  
Griglia di protezione - *Protection grid*  
Grille de protection - *Schutzgitter*



**Cod. CARTER1 (LED Lampo 120W)**  
**Cod. CARTER2 (LED Lampo 180W)**  
**Cod. CARTER3 (LED Lampo 240W)**  
**Cod. CARTER4 (LED Lampo 350W (2 moduli per LED Lampo 700W))**  
**Cod. CARTER5 (LED Lampo 500W)**  
CARTER per un'ulteriore protezione  
*CARTER for enhanced protection and design*

**Dettagli - Details - Détails - Details - Einzelheiten**



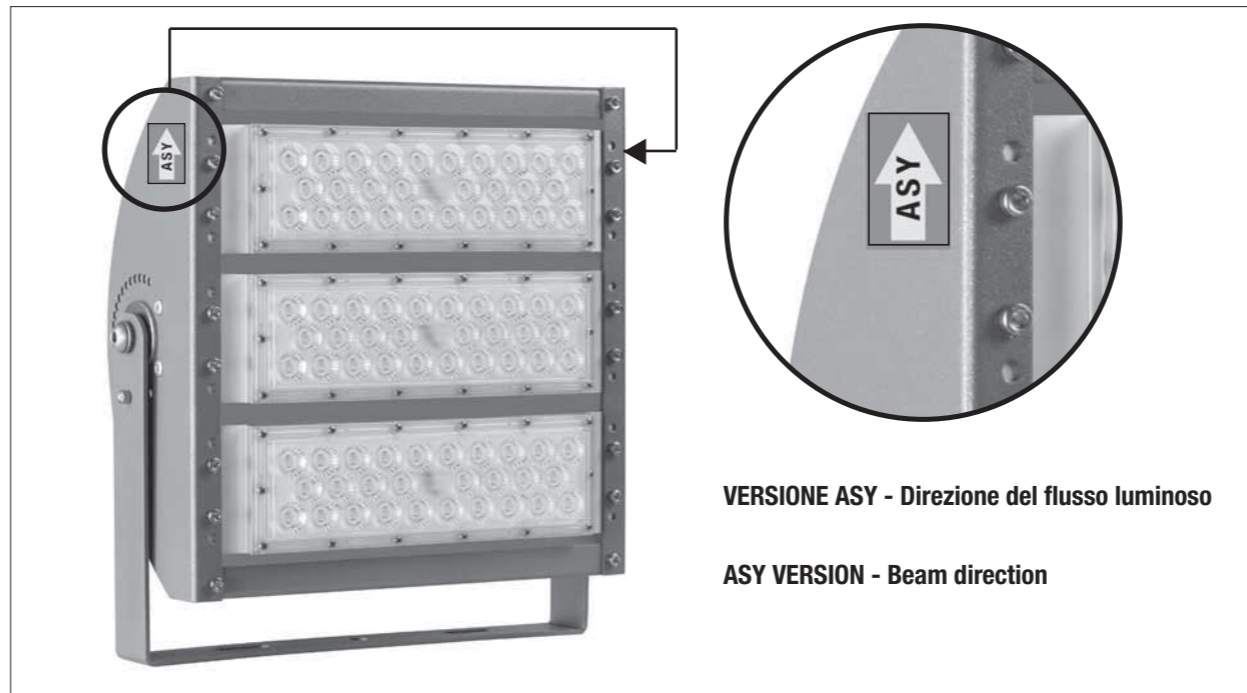
Compreso di connettore IP68 (maschio montato sul prodotto e femmina a corredo).  
Ø esterno del cavo: min 9mm - max 12mm  
*With the lamp is including a connector IP68 (male mounted on product and female included).*  
*External Ø cable: min 9mm - max 12mm*  
*Equipé d'un connecteur IP68 (mâle monté sur le produit et femelle fourni).*  
*Ø externe du câble: min 9 mm - max 12 mm*  
*Inklusive IP68-Stecker (Stecker am Produkt montiert und Buchse im Lieferumfang enthalten).*  
*Außen-Ø des Kabels: min 9mm - max 12mm*



Staffa di fissaggio ruotabile con goniometro. Dentatura blocca-staffa per resistenza al vento  
*Rotating support with goniometer and double bracket blocking screws against the wind.*  
*Etrier de fixation pivotable avec goniomètre. Double vis de blocage de l'étrier pour résistance au vent*  
*Drehbarer Befestigungsbügel mit Goniometer. Bügelverriegelungsverzahnung für Windwiderstand*



**Cod. GFR100.000**  
Gancio per applicazione a sospensione  
*Hook for suspension application*



**VERSIONE ASY - Direzione del flusso luminoso**

**ASY VERSION - Beam direction**